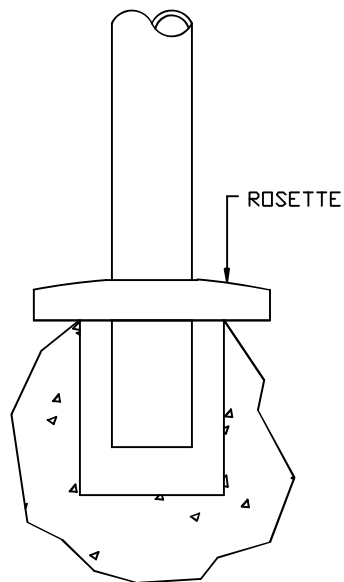
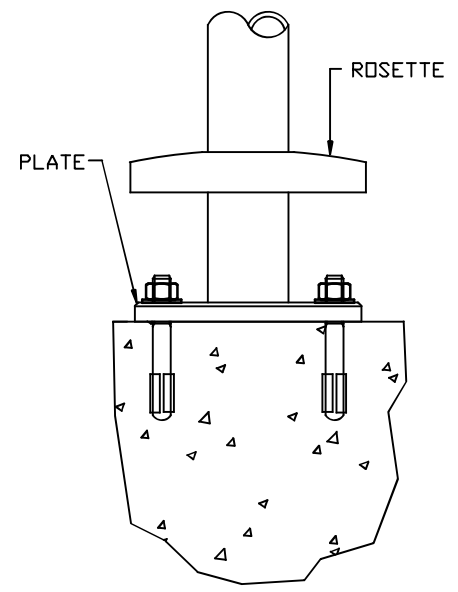


MATERIAL:
 ALUMINUM
 ALLOY 6061/6063
 FINISH: POWDER COAT



EMBED MOUNT
STANDARD



BASE PLATE MOUNT
OPTION

Description: ANDA FREESTANDING TWO LINE RAIL DESIGN	Drawn: GTG Date: -	Sheet No.: 1 OF 1
ETI efficient-tec international llc. 9659 Wendell Road Dallas, TX 75243 tel. 866.356.4458	Job Number: -	Part Number: -