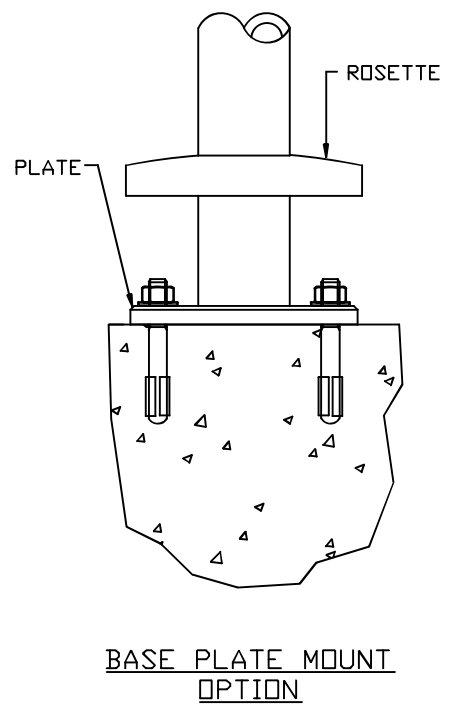
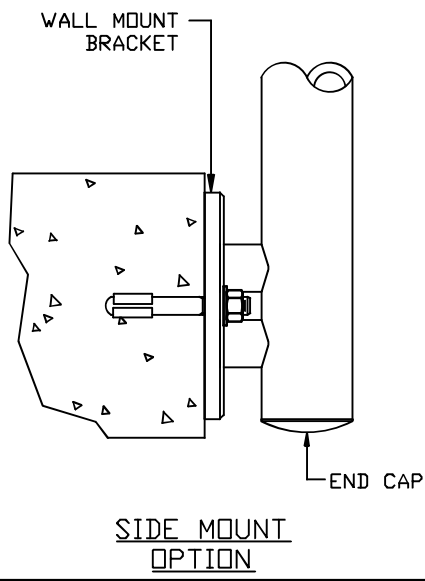


STANDARD MATERIAL:
 STAINLESS STEEL
 ALLOY 316
 FINISH: NO. 6 SATIN



Description: ZARIA PERFORATED/MESH PANEL DESIGN	Drawn: GTG Date: -	Sheet No.: 1 OF 1
	Job Number: -	Part Number: -